

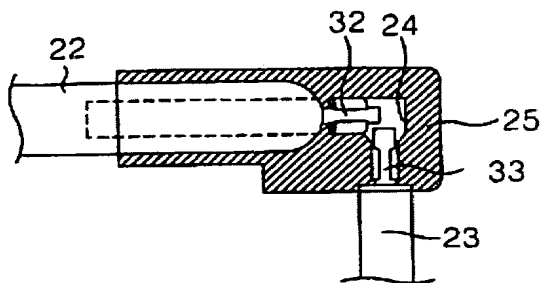
**REMARKS**

At the outset, the Examiner is thanked for the thorough review and consideration of the pending application. The Office Action dated July 02, 2007, has been received and its contents carefully reviewed.

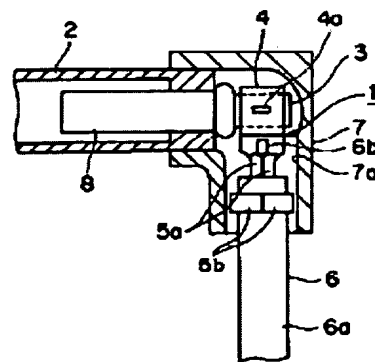
Claims 1, 2, 4, 5 and 18 are rejected to by the Examiner. Claims 1, 5 and 18 are amended. Claims 2 and 4 are cancelled. Therefore, claims 1, 5 and 18 remain pending in this application.

In the Office Action, claims 1, 2 and 4 are rejected under 35 U.S.C. § 102(b) as being anticipated by U.S. Patent No. 3,125,299 to Woofter et al. (hereinafter "Woofter"). Claims 1, 2 and 4 are rejected under 35 U.S.C. § 103(a) as being unpatentable over U.S. Patent No. 6,799,987 to Park et al. (hereinafter "Park"). Claims 5 and 18 are rejected under 35 U.S.C. § 103(a) as being unpatentable over Park in view of Japanese Patent Publication No. 09-259,749 to Yamashita et al. (hereinafter "Yamashita").

The rejection is respectfully traversed and reconsideration is requested. Claims 1, 5 and 18 are allowable over the cited references in that each of these claims recites a combination of elements including, for example, "wherein material of the injection molded product is molded around the L-shaped connector so as to be in direct contact with the entire surface of the L-shaped connector." None of the cited references including Woofter, Park and Yamashita, singly or in combination, teaches or suggests at least this feature of the claimed invention.



[Fig. 4 of the claimed invention]



[Fig. 2 of Yamashita]

As clearly shown in FIG. 4 of this application, the material of the injection molded product comprising the unifying means 25 is molded around the L-shaped connector 24 so as to *be in direct contact* with the *entire surface* of the L-shaped connector 24. Therefore, the claimed invention with this feature is effective at preventing the L-shaped connector 24 from moving in the unifying means 25.

With Regard to Yamashita, as clearly shown in FIG. 2, an element 7 corresponding to the unifying means 25 is NOT in contact with an element 4.

Accordingly, Applicant respectfully submits that claims 1, 5 and 18 are allowable over the cited references including Yamashita.

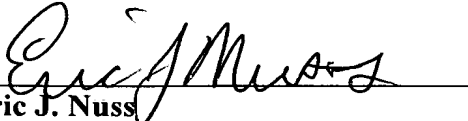
Applicants believe the foregoing remarks place the application in condition for allowance and early, favorable action is respectfully solicited.

If for any reason the Examiner finds the application other than in condition for allowance, the Examiner is requested to call the undersigned attorney at (202) 496-7500 to discuss the steps necessary for placing the application in condition for allowance. All correspondence should continue to be sent to the below-listed address.

If these papers are not considered timely filed by the Patent and Trademark Office, then a petition is hereby made under 37 C.F.R. § 1.136, and any additional fees required under 37 C.F.R. § 1.136 for any necessary extension of time, or any other fees required to complete the filing of this response, may be charged to Deposit Account No. 50-0911. Please credit any overpayment to deposit Account No. 50-0911. *A duplicate copy of this sheet is enclosed.*

Respectfully submitted,

Dated: 13 March 2008

By:   
Eric J. Nuss  
Registration No. 40,106  
McKENNA LONG & ALDRIDGE LLP  
1900 K Street, N.W.  
Washington, DC 20006  
(202) 496-7500  
Attorneys for Applicant